



# DS35 TESLA

3500 KG. CAPACITY SCISSOR LIFT



Shown: DS35DTSL00RD

## Features

- ✓ Low drive-over clearance allows for effortless positioning of low profile vehicles
- ✓ The lift equipped with toe guards accomodate a variety of vehicle types
- ✓ Low profile ramps provide easy access for vehicles with low chassis
- ✓ Oversized platforms accommodate a wide range of vehicles and pickup points
- ✓ 1940mm rise height creates working space for the tallest technicians
- ✓ Hinged ramps drop down to a 65 degree angle for easy access to wheel service
- ✓ High strength steel construction delivers long life

# DS35 TESLA Double Scissor Lift

## Included with:



Set of four 12mm Flat Polymer Rubber Pad Adapters



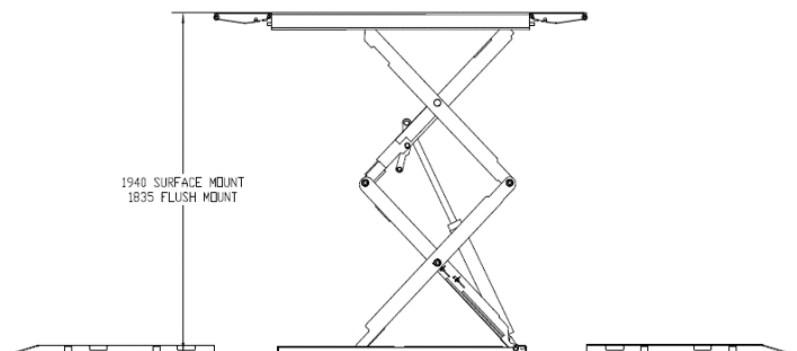
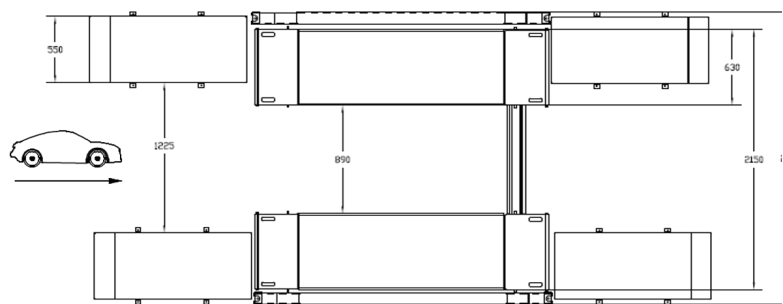
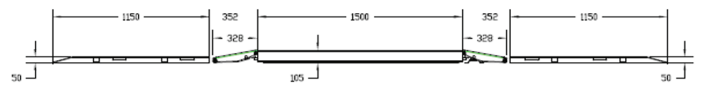
Set of four 38mm Flat Polymer Rubber Pad Adapters



Set of four 76mm Flat Polymer Rubber Pad Adapters

## Specifications

Lifting Capacity	3500kg
Maximum Rise	1940mm Surface Mount 1835mm Flush Mount
Lowered Height	105mm
Overall Width	2400mm
Overall Length	4500mm Surface Mount 2156mm Flush Mount
Platform Width	630mm
Width Between Platforms	890mm
Platform Length	1500mm
Ramp Length	328mm
Low Profile Ramp Length	1150mm
Low Profile Ramp Width	550mm
Motor / Voltage	3kW,3Phase,50Hz, 380V



**Rotary Lift HQ**  
2700 Lanier Drive  
Madison, IN 47250, USA  
[www.rotarylif.com](http://www.rotarylif.com)

FIND US ON



**Rotary Lift Aisa**  
No.1388 East Xiushan Road,Haimen ,  
Jiangsu Province,China,226100  
[www.vsg-asia.com](http://www.vsg-asia.com)

